



ACCENDO
LIGHTING



General Description:

The LED XLS series High Output Strip Luminaire is an ideal energy efficient replacement for existing fluorescent strips. The Accendo Lighting HO Strip is also controls ready and is capable of working with virtually any network controls or building automation. Ideal for Industrial/Manufacturing, Warehouses, Commercial, and aisle lighting applications. XLS series fixtures come with a 10-year standard warranty on all luminaire electronics and housing.

Features:

- Available in 3000K (neutral white) through 5000K (cool White) color temperatures
- Operating temperatures: -40°C to 50°C
- Controls Ready: capable of working with virtually any network controls or building automation.

Construction:

- Available in 2, 4 or 8 foot models.
- Housing: 22 gauge white steel with die-cast end caps mechanically fastened to body for strength and rigidity.
- Proprietary ribbed, frosted lens.
- Weight: 4 ft. model – 8 lbs., 8 ft. model – 16 lbs. (will vary slightly depending on driver specified)

Electrical:

- Voltage: 120-277VAC input. Optional 480V.
- Driver: 24VDC Class 2, constant current, electronic power supply factory calibrated to LED modules.
- LED modules are individually replaceable providing easy serviceability in the field.

Optics:

- Best in Class LEDs: 3000L, 3500K, 4000K, 5000K CCT (min 80CRI)
- Lumen Maint: >100,000 hours at 70% initial lumens

Mounting:

- Surface mount, single look adjustable cable, and chain hang ready.

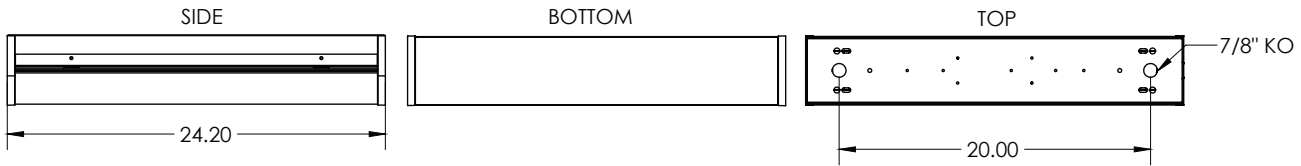
Ordering Information Ordering Example: ALHOSLED-2-25W-UNV-EM-OOS-XLS

	Housing	Model	CCT	Driver	Options	Series	LENGTH & MODEL COMBONATIONS:
ALHOSLED	2 - 2 ft.	16W - (2000L)	3000K	UNV - Non-Dimmable, Multi-Volt 120-277V	EM - Emergency Battery Back-up	XLS	ALHOSLED-2 2000L
	4 - 4 ft.	25W - (3216L)	3500K	DIM - Dimmable 0-10V, Multi-Volt 120-277V	WG - Wire Guard		ALHOSLED-2 3216L
	8 - 8 ft.	33W - (3977L)	4000K	480 - Non-Dimmable, 347-480V	GTD - Generator Transfer Device		ALHOSLED-4 2000L
		42W - (5000L)	5000K		AOS - Aisle Occupancy Sensor		ALHOSLED-4 3216L
		50W - (6432L)		48D - Dimmable, 347-480V	OOS - Open Area Occupancy Sensor	ALHOSLED-4 3977L	
		67W - (7800L)			FSP2 - Programmable PIR Sensor 8' H/44'D	ALHOSLED-4 5000L	
		72W - (8846L)			FSP3 - Programmable PIR Sensor 20' H/40'D	ALHOSLED-4 6432L	
						ALHOSLED-4 7800L	
						ALHOSLED-4 8846L	
						ALHOSLED-8 3977L	
						ALHOSLED-8 5000L	
						ALHOSLED-8 6432L	
						ALHOSLED-8 7800L	
						ALHOSLED-8 8846L	

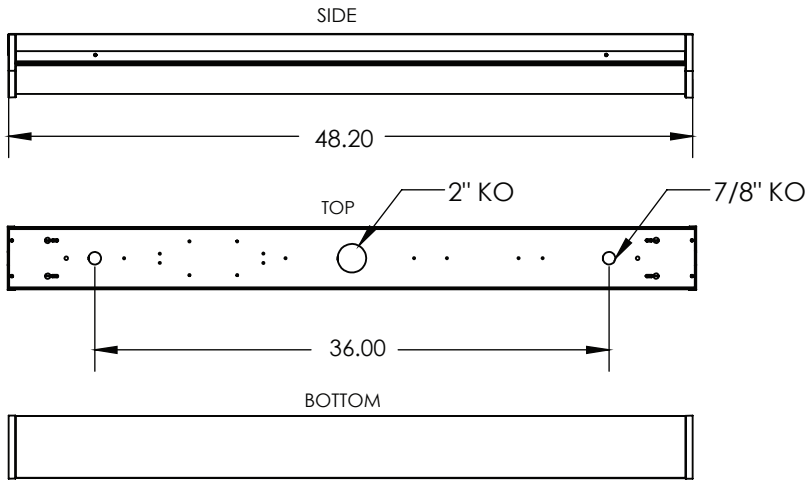


Dimensions:

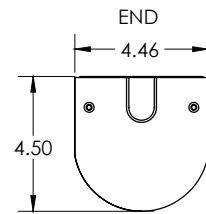
2 FT MODEL



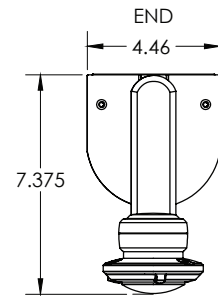
4 FT MODEL



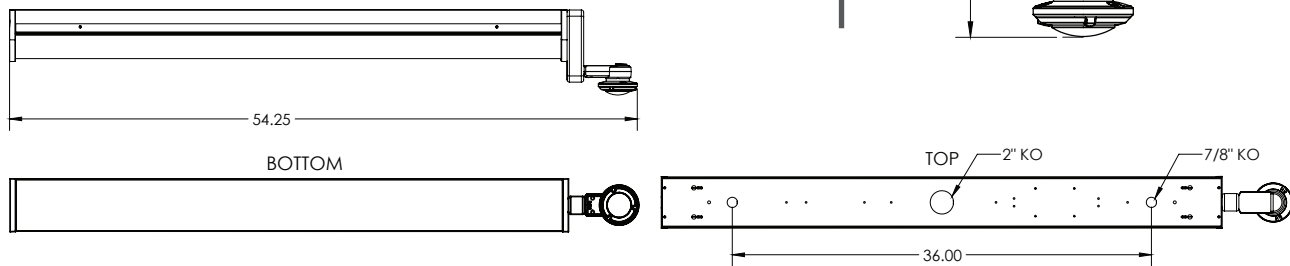
END VIEW FOR ALL SIZES



END VIEW SHOWN WITH FSP-211 PROGRAMMABLE OCCUPANCY SENSOR



SHOWN WITH FSP-211 PROGRAMMABLE OCCUPANCY SENSOR



8 FT MODEL

