



**ACCENDO**  
LIGHTING



### General Description:

The LED XLS series Wallpack is a new high efficiency luminaire designed to replace existing HID technologies in a cost effective and customizable feature set. Solid construction and high quality components make the luminaire a perfect product for use in security applications, building exteriors, wall wash, manufacturing and commercial settings. XLS series fixtures come with a 10-year standard warranty on all luminaire electronics and housing.

### Features:

- Energy-efficient replacement for up to 400W HID.
- Decorative yet rugged construction protects internal components from outdoor conditions.
- Significantly improved lumen maintenance over HID.
- Operating temperature: -40°C to +50°C (-40°F to +122°F).
- Additional CCT options available.

### Construction:

- Housing is heavy-duty, die-cast aluminum with bronze powder coat finish.
- High impact, heat resistant borosilicate glass lens is hinged, is removable and won't yellow or degrade.
- Silicone gasket is included to prevent leakage and provide weather-tight protection.

### Mounting:

- Surface mount ready.

### Electrical:

- Voltage: 120-277V 50/60Hz driver (standard).
- Driver: Class 2, constant current, electronic power supply, factory calibrated to LED modules.
- 0-10V dimming standard.
- Optional 10kV/10kA surge protection available.

### Optics:

- Uplight (>90°) is less than 7%, significantly reducing wasted light over other commercial models.
  - High angle light (80-90°) is less than 6%.
- Lumen Maintenance: >100,000hrs L90 @ 25°C

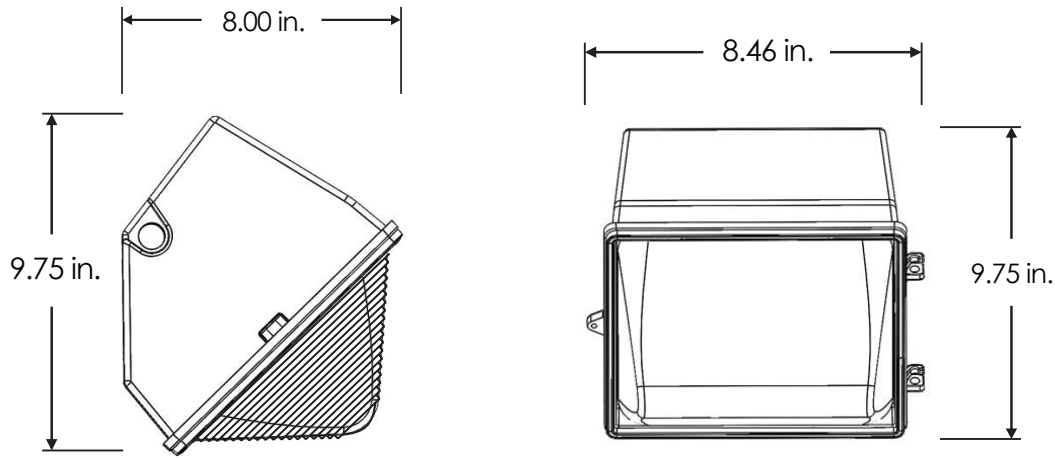
### Ordering Information

Ordering Example: ALWPSLED-019W-5000K-DIM-PC-XLS

	Wattage/Lumens	CCT	Driver	Options	Series
ALWPSLED	<b>019W</b> - (2232lms)	3000K 3500K 4000K 5000K	<b>DIM</b> - Multi-Volt120-277V	<b>PC</b> - Photocell Button, 120-277V <b>SRG</b> - 20kA Surge Protection	<b>XLS</b>



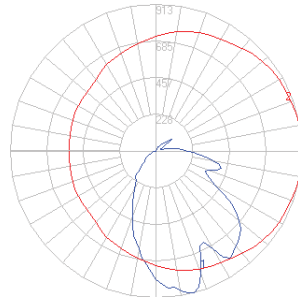
Dimensions:



Photometrics:

ALWPSLED 2500L 3000K

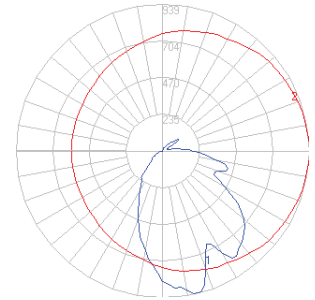
Catalog Number:  
LWPS-2500L-30K-DIM  
Report Number: ATAL023957 .ies  
Issue Date: 04/12/18  
Lamp: (1) COB LED  
Lens/Optics: Glass Lens  
IESNA: LM-63-2002  
Total Input Watts: 19.4  
Efficacy (Lm/W): 112.0  
Total Lumens: 2173  
Prepared by: American Testing &  
Assessment Laboratory  
NOTE: Data shown is absolute for product shown.



BUGRATING B1-U3-G1

ALWPSLED 2500L 3500K

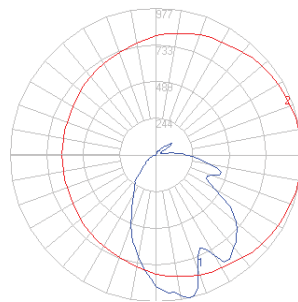
Catalog Number:  
LWPS-2500L-35K-DIM  
Report Number: ATAL023958 .ies  
Issue Date: 04/10/18  
Lamp: (1) COB LED  
Lens/Optics: Glass Lens  
IESNA: LM-63-2002  
Total Input Watts: 19.4  
Efficacy (Lm/W): 115.1  
Total Lumens: 2232  
Prepared by: American Testing &  
Assessment Laboratory  
NOTE: Data shown is absolute for product shown.



BUGRATING B1-U3-G1

ALWPSLED 2500L 4000K

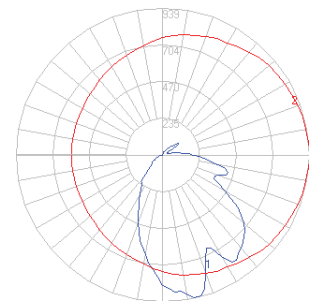
Catalog Number:  
LWPS-2500L-40K-DIM  
Report Number: ATAL023959 .ies  
Issue Date: 04/11/18  
Lamp: (1) COB LED  
Lens/Optics: Glass Lens  
IESNA: LM-63-2002  
Total Input Watts: 19.2  
Efficacy (Lm/W): 121.3  
Total Lumens: 2329  
Prepared by: American Testing &  
Assessment Laboratory  
NOTE: Data shown is absolute for product shown.



BUGRATING B1-U3-G2

ALWPSLED 2500L 5000K

Catalog Number:  
LWPS-2500L-50K-DIM  
Report Number: ATAL023960 .ies  
Issue Date: 04/09/18  
Lamp: (1) COB LED  
Lens/Optics: Glass Lens  
IESNA: LM-63-2002  
Total Input Watts: 19.3  
Efficacy (Lm/W): 122.2  
Total Lumens: 2359  
Prepared by: American Testing &  
Assessment Laboratory  
NOTE: Data shown is absolute for product shown.



BUGRATING B1-U3-G2