



ACCENDO
LIGHTING

Hazardous Environment

"Multi-Purpose" LED Flood Light

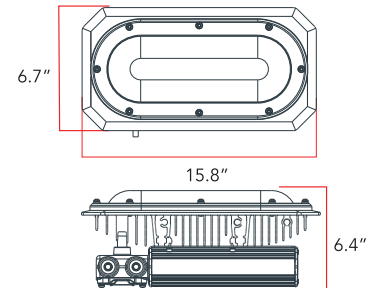
Typical Applications:

Petroleum production, refineries, storage, and transportation facilities. Utility power generation plants and sub-stations. Mining operations and processing. Off shore oil platforms. Food processing and distilling. Paint and chemical production/storage. Wastewater treatment plants. Aerospace and military facilities (hazardous locations). Flour/grain and other fine dust particulate processes.

Project Name:	Type:
Location:	
Model Number:	
Approved By:	Date:
Notes:	



Dimensions:



FEATURES:

- Die Cast "copper free" aluminum housing
- IK rated for vibration applications
- 140 LPW CREE LED Chips >70CRI
- Suitable for wall or ceiling mount installations. See "Options" for all available mounting configurations and accessories.
- Up to 60% reduced energy consumption over traditional HID and fluorescent sources.
- Ambient operating temperatures -40-60°C
- L70 >150,000 Hours
- Standard 5 Year Manufacturer's Warranty

LISTINGS:

- Class I, Division 1, Groups C,D
- Class I, Division 2, Groups A,B,C,D
- Class II, Division 1, Groups E,F,G
- Class II, Division 2, Groups E,F,G
- Class III
- UL 1598 Wet location
- UL 1589A Marine Outside Type
- UL844
- CSA C22.2 No. 137/No. 250.0
- NEMA 4X
- IP66
- IECEX
- ATEX
- ABS Compliant

Ordering Information:

Series	Wattage/Lumens	Housing	Kelvin/CCT	Beam Angle	Mounting
AL-LED-EXP	080 - 8000lms	P	27 - 2700K	Z40 - 40°	PM - Pole Mount ST - Stachion Mount WB - Wall Bracket PC - Pipe Clamp
	120 - 12000lms		30 - 3000K	Z60 - 60°	
	150 - 15000lms		40 - 4000K	Z90 - 90°	
	200 - 20000lms		50 - 5000K	Z120 - 120°	
	240 - 24000lms		57 - 5700K	Z140 - 140°	

Ordering Example: AL-LED-EXP-080-P-27-Z90-PM



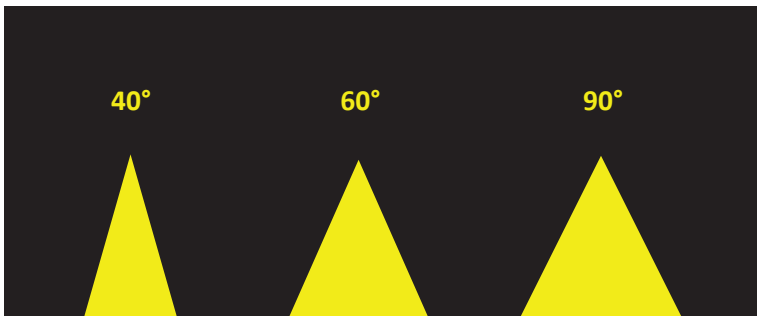
Performance Data

Wattage	Lumens	LPW	CRI
080	8000	100	70
120	12000	100	70
150	15000	100	70
200	20000	100	70
240	24000	100	70

Powered By



Distributions/Optics

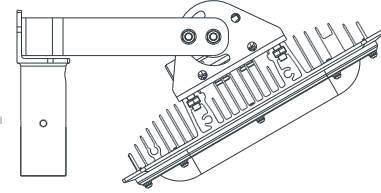


Consult factory for current IES photometric files

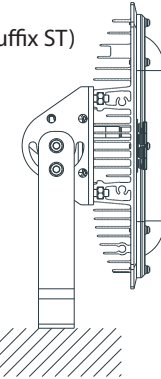
Consult factory for current IES photometric files

Mounting Accessories/Options

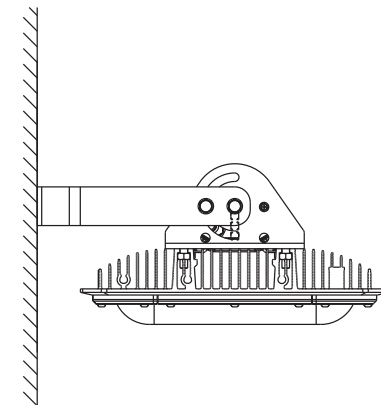
Pole Mount (suffix PM)



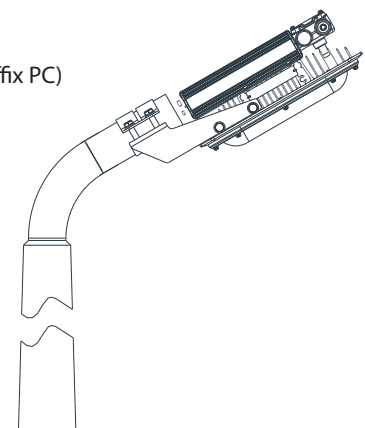
Stachion Mount (suffix ST)



Wall Bracket (suffix WB)



Pipe Clamp (suffix PC)



Note: Consult factory for complete list of mounting accessories.