



ACCENDO
LIGHTING



General Description:

An attractive center basket 2x2 or 2x4 direct/indirect troffer fixture and retrofit kit, the RETIND provides soft, balanced illumination for a contemporary appearance and comfortable, low glare light. The housing and lamp compartment are fully recessed above the ceiling plane, minimizing lamp exposure. The perforated baffle and curved reflector produce a combination of direct and indirect light, fully illuminating the fixture housing. All-new high efficiency T5HO/T8/LED fixture for cost effective lighting for recessed applications. Contemporary design with excellent uniform light distribution.

Features:

- Available in 3000K (neutral white) through 5000K (cool white) color temperatures.
- Die-formed heavy-gauge cold rolled steel. 2x2 and 2x4 LED or Fluorescent
- Low gloss, high reflectivity white powder coat finish.
- Ballasts/Drivers are accessible by removal of baffle
- Designed for use with Class P electronic ballasts for T5HO/T8 lamps.
- Accepts rotary locking sockets and T5/T8/LED Lamps.
- Universal 120 - 277 AC voltage (50-60Hz) is standard.
- 0-10Vdc dimming capability is standard on solid state board option.
- Power factor > 0.90.
- Total harmonic distortion < 20%.

Warranty & Listings:

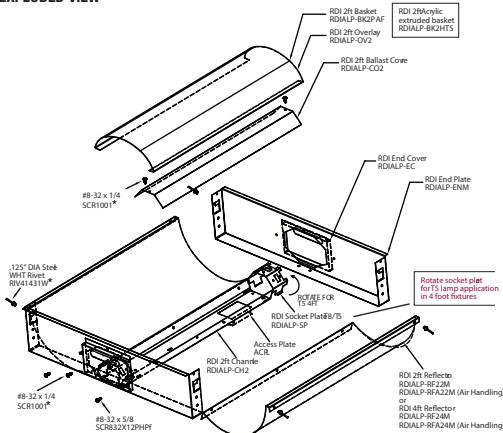
- Complies with FCC Part 15, class B.
- 5-year warranty of all electronics and housing.

Ordering Information

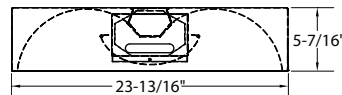
Ordering Example: AL-RETIND-4-TLED-3-DIM-LP

Series	Housing	Light Source	No. of Lamps	Wattage	CCT	Ballast/Driver	Options
AL-RETIND	2 - 2x2	FL - fluorescent	2	17W - 2'T8 Fluorescent	3000K	IS - instant start	PW - pre-wired cable
	4 - 2x4	L - Solid State LED	3	28W - 4'T8 Fluorescent	3500K	PS - program start	LP - lamped - specify
		TLED - T8 LED ₁		32W - 4'T8 Fluorescent	4000K	DIM - 0-10V Dimming Driver	BAA - Buy American
		TLED5 - T5 LED ₂		08WTLED - 2' LED Tube	5000K	DIMHP - 0-10V Dimming Driver	EM - Emergency Operation
				10WTLED - 2' LED Tube			RK - Retrofit Kit
				12WTLED - 4' LED Tube			
				15WTLED - 4' LED Tube			

EXPLODED VIEW



END VIEW



- 1: multiple T8 and T5 LED options are available. Please see page two for example lamp and driver specifications.
- 2: multiple brands and ballast factors are available. please see page two for some common ballast factor combinations.
- 3: consult with factory for emergency ballast/driver options.



Example Lamping Data:

Model	Mode	System Wattage	Lamp Wattage	Length	CRI	Initial Lumens	System Efficacy (lm/w)	Beam Angle	CCT	DLC
L24T8/830/8G-XT	NBF	10	8	24"	82	1300	130	325	3000K	Yes
L24T8/835/8G-XT	NBF	10	8	24"	82	1300	130	325	3500K	Yes
L24T8/840/8G-XT	NBF	10	8	24"	82	1300	130	325	4000K	Yes
L24T8/850/8G-XT	NBF	10	8	24"	82	1300	130	325	5000K	Yes
L24T8/830/8G-XT	HBF	12	10	24"	82	1600	133	325	3000K	Yes
L24T8/835/8G-XT	HBF	12	10	24"	82	1600	133	325	3500K	Yes
L24T8/840/8G-XT	HBF	12	10	24"	82	1600	133	325	4000K	Yes
L24T8/850/8G-XT	HBF	12	10	24"	82	1600	133	325	5000K	Yes
L48T8/830/15G-XT	NBF	15	12	48"	82	1800	120	325	3000K	Yes
L48T8/835/15G-XT	NBF	15	12	48"	82	1800	120	325	3500K	Yes
L48T8/840/15G-XT	NBF	15	12	48"	82	1800	120	325	4000K	Yes
L48T8/850/15G-XT	NBF	15	12	48"	82	1800	120	325	5000K	Yes
L48T8/830/15G-XT	HBF	18	15	48"	82	2200	122	325	3000K	Yes
L48T8/835/15G-XT	HBF	18	15	48"	82	2200	122	325	3500K	Yes
L48T8/840/15G-XT	HBF	18	15	48"	82	2200	122	325	4000K	Yes
L48T8/850/15G-XT	HBF	18	15	48"	82	2200	122	325	5000K	Yes

4lamping data based on ESPEN CoreTech 2' and 4' T8 LED tube options.

Example Dimming Driver Data:

OUTPUT			INPUT	
No. of Channels	3	4	Frequency	50-60Hz
No. of Coretech LED Lamps	3	4	Input Voltage (range)	120-277 VAC
Output Voltage (Range)	20-46VDC		Power Factor (min.)	0.9 @ full load 277VAC
Output Current Range (Programmable @ full load)	300mA / 360mA		THD (max.)	20% @ full load 110AC
Total Rated Power	66W		Efficiency (typical)	0.86

sdimming driver electrical data is for example purposes only. Data supplied by ESPEN for driver model No. VPL100-4C-030/036.